

Constructa



en Instructions for use

9000 096 409 (8606)

File Name: constructa dishwasher manual.pdf

Size: 3881 KB

Type: PDF, ePub, eBook

Category: Book

Uploaded: 13 May 2019, 19:39 PM

Rating: 4.6/5 from 742 votes.

Status: AVAILABLE

Last checked: 3 Minutes ago!

In order to read or download constructa dishwasher manual ebook, you need to create a FREE account.

[Download Now!](#)

eBook includes PDF, ePub and Kindle version

[Register a free 1 month Trial Account.](#)

[Download as many books as you like \(Personal use\)](#)

[Cancel the membership at any time if not satisfied.](#)

[Join Over 80000 Happy Readers](#)

Book Descriptions:

We have made it easy for you to find a PDF Ebooks without any digging. And by having access to our ebooks online or by storing it on your computer, you have convenient answers with constructa dishwasher manual . To get started finding constructa dishwasher manual , you are right to find our website which has a comprehensive collection of manuals listed.

Our library is the biggest of these that have literally hundreds of thousands of different products represented.



Book Descriptions:

constructa dishwasher manual

Constructa




en Instructions for use

9000 096 409 (8606)

If your Dishwashers is not in this list please use the search box in top of the website, it could by that your Dishwashers is categorized in another category. Ask your question here. Provide a clear and comprehensive description of the issue and your question. The more detail you provide for your issue and question, the easier it will be for other Constructa CG6B54V8 owners to properly answer your question. Ask a question About the Constructa CG6B54V8 This manual comes under the category Dishwashers and has been rated by 1 people with an average of a 5.9. This manual is available in the following languages English. Do you have a question about the Constructa CG6B54V8 or do you need help. Ask your question here Constructa CG6B54V8 specifications Brand It is recommended to follow the advice on the packaging.It opens when you turn the knob on the compartment. The softening salt can then be poured into the compartment by means of a funnel.ManualSearcher.com ensures that you will find the manual you are looking for in no time. Our database contains more than 1 million PDF manuals from more than 10,000 brands. Every day we add the latest manuals so that you will always find the product you are looking for. Its very simple just type the brand name and the type of product in the search bar and you can instantly view the manual of your choice online for free. ManualSearcher. com If you continue to use this site we will assume that you are happy with it. Read more Ok. This appliance is intended for use in the home and the home environment. Use the dishwasher only in the household and only for its designed purpose for washing domestic dishes. Safety instructions S a f e t y i n s t r u c t i o n s Children from 8 years of age or people whose physical, sensory or mental abilities or their lack of experience or knowledge prevent them from using the appliance safely must not use this appliance without supervision or instruction by a responsible

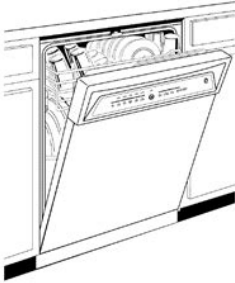
person. http://coyada.com/up_images/up_images/fbi-alarm-system-installer-manual.xml

- **constructa dishwasher manual, constructa dishwasher manual pdf, 1.0, constructa dishwasher manual, constructa dishwasher manual pdf.**



www.GEAppliances.com

Triton XL[™] Dishwashers




Owner's Manual
EPAW1000 Series
GHDA960 Series
GHDA980 Series
GSD6100 Series
GSD6200 Series
GSD6300 Series
GSD6500 Series
GSD6600 Series
GSD6700 Series
GSD6800 Series
GSD6900 Series
SSD1900 Series

Safety Instructions 2, 3
Operating Instructions
Care and Cleaning 10
Control Panel and Settings 4-6
Loading Place Settings 9
Loading the Racks 8
Optional Accessories 9
Using the Dishwasher 6, 7
Troubleshooting Tips 11, 12

Consumer Support
Consumer Support Back Cover
Product Registration 13, 14
Warranty 15

Write the model and serial numbers here:
Model # _____
Serial # _____
You can find them on the tub wall just inside the door.



165D4700P298 49-5974 02-04-10

Before you switch ON the appliance Please read the operating and installation instructions carefully. They contain important information on how to install, use and maintain the appliance. Retain all documents for subsequent use or for the next owner. We are committed to dealing with such abuse according to the laws in your country of residence. When you submit a report, we will investigate it and take the appropriate action. We will get back to you only if we require additional details or have more information to share. Note that email addresses and full names are not considered private information. Please mention this; Therefore, avoid filling in personal details. The manual is 2,12 mb in size. If you have not received an email, then probably have entered the wrong email address or your mailbox is too full. In addition, it may be that your ISP may have a maximum size for emails to receive. Check your email Please enter your email address. Arial Regular,18pt,100%black colour Before use Yes. No. Optional As such we urge you to follow the This will help conserve natural resources and ensure that it is recycled in a manner that protects health You must dispose of this product and its packaging according to local laws and regulations. Because Contact your local authority to learn about disposal and recycling. The product and packaging should be taken to your local We apologise for any inconvenience caused by minor inconsistencies in these instructions, Before use Please read these instructions carefully before using this appliance. The instructions contain important information which will help you Keep this manual in a convenient place so you can always refer to it for the safe and proper use of the appliance. If you sell the appliance, give it away, or leave it behind when you move house, make sure you also pass on this manual so that the Accessories. Check the accessories and literature in accordance with this list Arial Regular,18pt,100%black colour. Manufacturer's

Warranty. <http://www.games4bridalshowers.com/userfiles/fbi-alarm-keypad-manual.xml>

Constructa



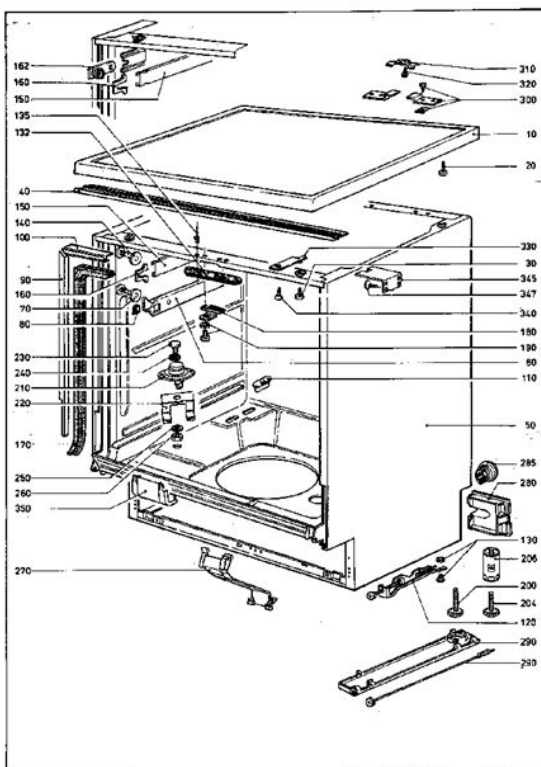
nl Gebruiksaanwijzing

9000 274 884 (8804)

Please read this warranty card carefully. Attach your purchase receipt to this warranty card and keep it safe. When you purchase any new Haier Product you automatically receive a two year Manufacturers Warranty covering parts and labour for servicing. The Manufacturer undertakes to Repair or, at its option, replace without cost to the owner either for material or labour any part of the Product, the serial number of which appears on the Product, which is found to be defective within TWO YEARS from the date of purchase. This warranty DOES NOT cover The cost of a service call will be For example Defects caused by factors other than The cost of repairs carried out by nonauthorised repairers or the cost of correcting such AUTHORIZED CUSTOMER SERVICE CENTRE or the selling dealer. AUTHORIZED CUSTOMER SERVICE CENTRE'S normal service area. This product has been designed for use in a normal domestic environment. It is not intended for Service under this warranty must be provided by an Authorised Service Repairer refer to the Customer. Care section for contact details. Such service shall be provided during normal business hours. This Note. This Warranty is an extra benefit and does not affect your legal rights and applies only to product Please keep this Warranty Card in a safe place. For Australian customers. Our goods come with guarantees that cannot be excluded under the Australian Consumer Law. You are entitled to a replacement or refund for a major failure and for compensation for any other You are also entitled to have the goods repaired or replaced if Upon opening the This is normal phenomenon Arial Regular, 18pt, 100% black colour Safety instructions Do not use the washing machine until the During Daily use of the appliance If necessary, put small items into a laundry The door is fitted with a Before use Note There are adjustable feet under the bottom of the washing machine. Before use, they should be This will minimise vibrations and thus noise during use.

It will also We recommend using a spirit level to level the appliance. The floor should be as Inlet Hose Note Use the hoses set supplied with the appliance. Old Dont extend the length of the drain Drain hose Fix the drain If the drain hose is placed on the ground or if the pipe is at a Connecting to the power supply. Before connecting to the power supply, check Arial Regular, 18pt, 100% black colour Compartment 1 Prewash detergent. Compartment 2 Detergent for programs 1 to 8. Compartment 3 Softener, conditioning agent. After a program is selected, the corresponding light will go on. Before use Note Different water temperatures and spinning speeds can be set for

different When the button is Press the button once to Press the button repeatedly and the screen Note Select this function when programe 19 is selected. During a wash cycle, touch it lightly, operation will stop and Touch it again to resume operation. To cancel a wash program When the laundry is not balanced The range is 0.524 hours; each touch of this Note The delay time must be longer than the program time otherwise the Turn the Turn on the power and use Alarm sound can be cancelled if it is required not recommended Preset spin speed. Preset spin speed. Woolen fabrics Fast colour synthetic Cotton fabrics Program. Maximum. Preset No Energy Label Default Program Settings Cotton Standard 60 C. Intense. Intense If the machine is used for commercial purposes the warranty will be void. Do not use for purposes other than that for which it was Max. working current A Net weight kg This washing machine is for domestic use only. If the machine is used for commercial purposes the warranty will be void. Do not use for purposes other Follow the instructions given on the label of each garment and wash Power supply. Water connection. Connect the hose to the cold water connection. Turn on the tap. The water must be clean and clear. Note Before use, check for leakage in the joints between the tap and the inlet hose Preparing the laundry.



2373620-010

<http://www.diamondsinthefabric.com/content/boss-dr-660-manual-pdf>

Wash them first by hand to check if they fade or run. Arial Regular, 18pt, 100% black colour Before washing you should run the. Close the door tightly. Special nonfoaming detergent produces good washing results. Use specific detergents for synthetic and woollen goods. Do not use dry cleaning agents such as trichloroethylene and similar products. Note Detergent should be mixed with warm water. Do not add more detergent than Do not use liquid detergent if the Please turn the Open the washer Arial Regular, 18pt, 100% black Arial Regular, 18pt, 100% black colour. Turn off the water supply and unplug the power cord. Open the washer door to prevent formation of Most modern detergents can wash with good results in temperatures Bleachable in cold water. Dont dry clean. Delicate fabric. Do not bleach. Dry flat. Hung to dry. Dry on clothes hanger. Tumble dry, normal heat. Dont iron. Tumble dry, reduced heat. Hand wash. Dry cleaning with any solvent. Dont tumble dry. Dry clean

only. Dry cleaning with pericloride. Wool Seal. Bed sheet single. Dry cleaning with aviation fuel. Cotton. Approximately 800g Cotton. Approximately 800g. Blanket. Wool. Approximately 3000g. Blended fabric clothes. Jackets. Jeans. Overalls. Approximately 950g. Ladies Pyjamas. Approximately 200g. Shirts. Approximately 300g. Socks. Blended fabrics. Approximately 50g. TShirts. Underwear. Approximately 70g After washing. Turn off the water supply and pull out electricity plug Fig.1 after each Fig.1b. Fig.1. Cleaning the detergent drawer Flush it clean with warm water, dry and then replace it. Cleaning the machine. Unplug the machine during cleaning and maintenance. Use a soft cloth dampened with soap liquid to clean the machine case and Cleaning the filter. Caution Place a container under the drain pump filter, to collect any excess water that may come out of the Clean the filter once a month Caution The filter must be in place during operation, ensure Remove the blanking plugs.

<https://mohacad.com/images/72-nova-shop-manual.pdf>

BOSCH

YOUR LIFE. OUR INSPIRATION.

**DISHWASHER USE AND CARE MANUAL
GUIDE D'ENTRETIEN ET D'UTILISATION DU LAVE-VAISSELLE
MANUAL DE USO Y CUIDADO PARA LAVADORA DE PLATOS**

MODELS/MODÈLES/MODELOS : SHE44C, SHE46C, SHE56C

Installation instructions located on reverse side

Tourner le guide pour les instructions d'installation

Voltee el manual para encontrar las instrucciones de instalación



900006319 (8502)

Insert the synthetic stabilisers and the transportation bolts. Tighten the bolts with a spanner. Replace the back cover. Open the washer door to Leave the door ajar while not in use. Aerial Regular, 18pt, 100% black colour Err2 Err4 Err5. Err3. If problem still exists, please contact the maintenance personnel. Err6. Err7. Err8. End After the last rinsing cycle finishes, spinning fails completely due to unbalance of the laundry. Note During the spin process, if too much foam is inspected, in order to protect the motor, the washing If it happens more than 3 times, the motor will stop until the end of cycle Troubleshooting Contact the Customer Care Team when you have confirmed Check connection to the power supply. Check the power supply. Close the washer door properly. Make sure the machine is switched on. Turn on the water tap. Check water pressure. Check the inlet hose. Ensure the water supply. Set the program knob properly. Unblock the inlet hose filter. Machine is draining while Drainage failure. Strong vibration while Operation stops before Operation stops for a period Excessive foam in the Spinning fails Do not use a multiple socket extension cord. A separate earthed socket is required which shall be accessible at all times. If the mains cord becomes damaged, it must be replaced by the manufacturer, its service agent or similarly qualified person with a Never remove the plug from the socket by pulling on the cord,

always grasp the plug. The door may get hot during use, do not touch it and keep children away whilst the machine is operating. Never open the detergent drawer while the machine is running. Hot water and detergent might be ejected. When installing the product, make sure the mains cord is not trapped or twisted. Do not put the machine on a carpet that can block the ventilation slots on the bottom of the unit. Do not install this machine outdoors or in a damp place or expose it to rain. Do not install this product near a heat source or in direct sunlight.

<http://mohanitea.com/images/72-1055-manual.pdf>

Constructa



de Gebrauchsanleitung

Do not place any object on the machine when it is operating. This appliance must be earthed. If you are disposing of an old appliance, disable the door lock to avoid entrapment of children when playing and cut off the mains. The appliance must be connected to a 220/240 volts 50 cycle AC supply by means of a three pin socket, suitably earthed and the water pressure must not be less than 0.03MPa. Login to post Posting a solution after HOURS of fighting this problem I used this site extensively but couldnt find the answer in here, so hoping. You could also try the manufacturers web site direct. Also here is a direct site URL If this has assisted you please consider a 4 thumbsup for the rating. Thanks and good luck! John C. John C Option A adds a 25 min soak. I havent figured out how to program an extra rinse yet. Id like to know what the cycles are left to right. I have powered off the machine at the mains for several hours. There are no lights showing on the console. Please advise next steps. No heated dry nor hi temp wash buttons. Answer questions, earn points and help others. Please note that depending on the settings you choose, the full functionality of the website may no longer be available. These cookies can also be used to remember changes you have made to text size, fonts and other parts of web pages that you can customise. The information these cookies collect may be anonymised and they cannot track your browsing activity on other websites. If you activate these cookies, you will be able to view ads targeted to your interests and preferences. These ads will also appear when browsing other websites. If you activate these cookies, information about your use of this site can be shared with advertising and analytics partners from other sites that you

are visiting. For others its a bible. If you have lost yours or just want to keep it electronically, you can download a copy here. Checking the instruction manual is often the best place to start.

Please enter the ENr model number of your NEFF appliance below. This model number is usually found around the door area or on the rating plate of the appliance. For help finding where these details are located on your appliance, please use the rating plate finder below. If your appliance is already registered, simply log in to your MyNEFF account and select a registered appliance to get access to the instruction manual and other documentation. Not any more! The NEFF appliance assistant is there to support you with fault diagnosis, tips and documents. Browse our range of cleaning and care products here. Were always here to help. This can usually be found around the frame, behind the door of the appliance. Our Constructa Dishwasher parts range is available for delivery worldwide and for UK customers there is the option of next day delivery on all in stock Constructa Dishwasher spare parts. Buy today and save money with a doityourself Constructa Dishwasher repair. These parts clip into the basket. If the bearings. When you notice the. Prices subject to change. Errors and omissions To find out what cookies we use and why we use them, click here. If you are happy to continue, click here. This amount is subject to change until you make payment. For additional information, see the Global Shipping Programme terms and conditions opens in a new window or tab This amount is subject to change until you make payment. If you reside in an EU member state besides UK, import VAT on this purchase is not recoverable. For additional information, see the Global Shipping Programme terms and conditions opens in a new window or tab Learn more opens in a new window or tab See the sellers listing for full details. You're covered by the eBay Money Back Guarantee if you receive an item that is not as described in the listing. Find out more about your rights as a buyer opens in a new window or tab and exceptions opens in a new window or tab.

<http://swotin.com/wp-content/plugins/formcraft/file-upload/server/content/files/1628569e7df5ac---Business-development-manuals-pdf.pdf>

We may receive commission if your application for credit is successful. All Rights Reserved. User Agreement, Privacy, Cookies and AdChoice Norton Secured powered by Verisign. Further informations Present your company and showcase your products and services. With ambista, you can easily find whatever you need to expand your business. As the situation develops, deliveries may take longer. More details As the situation develops, deliveries may take longer. More details This can usually be found around the frame, behind the door of the appliance. Order now and save money with a doityourself Constructa repair. You wont be kept waiting. Once youve found the Constructa spare part you need, we can get it to you fast. These parts clip into the basket. If the bearings. When you notice the. Prices subject to change. You can choose whether to manage these or allow them all. View Cookie Policy. You can choose whether to manage these or allow them all. See our cookies page for more information. For example theyre used to recognise you when you return to our website. If you do not allow these cookies then some or all of these services may not function properly. We use this data to customise the marketing content you see on websites, apps and social media. They also help us understand the performance of our marketing activities. These cookies are set by us or our carefully selected third parties. These easy to fit Bosch rac. This cabinet door mountin. These dishwasher bearings fit a range of. Is your Dishwasher Soap. One year later, Bosch presented the first low voltage magneto for gas engines. In 1902, the chief engineer at Bosch, Gottlob Honold, unveiled the high voltage magneto ignition system with spark plug. In 1906, the company produced its 100,000th magneto. In the same year, Bosch introduced the 8 hours day for workers. In 1910, the Feuerbach plant was founded and built close to Stuttgart. In this factory, Bosch started to produce headlights in 1913.

Bosch founded two such alternative plants in 1935 and 1937 Dreilinden Maschinenbau GmbH in Kleinmachnow near Berlin and Elektro und Feinmechanische Industrie GmbH later Trillke Werke

GmbH in Hildesheim. Both plants were used exclusively for armaments production. In Hildesheim, a secret plant for the entire electrical equipment of tanks, tractors, and trucks of the Wehrmacht was built. Bosch also had a monopoly position in the outfitting of German Luftwaffe aircraft. Bosch founded a new development center in Schwieberdingen in 1968, and the headquarters moved to Gerlingen in 1970. In 1994, this part of the company was renamed as Bosch Telecom GmbH. In the same year, the company opened a new testing center in Vaitoudden, close to Arjeplog in north Sweden. A new developing center in Abstatt, Germany followed in 2004. A new development center was planned in 2008 in Renningen. In 2014, the first departments moved to the new center, while the remaining departments followed in 2015. Approximately 3900 patents are published per year. In addition to increasing energy efficiency by employing renewable energies, the company plans to invest into new areas such as biomedical engineering. In 2012, Bosch had 34,000 employees and a revenue of 41.7 billion Yuan about 5 billion Euro in China. Its main areas of activity are injection technology and powertrain peripherals for internal combustion engines, powertrain electrification, steering systems, safety and driver assistance systems, infotainment technology as well as vehicle-to-vehicle and vehicle-to-infrastructure communication, repair shop concepts, and technology and services for the automotive aftermarket. The new division resulted from the merger of the former Gasoline Systems and Diesel Systems divisions. It offers products for powertrain technology, from gasoline and diesel direct injection to electrified powertrains with battery systems and, in the future, it will offer fuel cell technologies as well.

The sector includes the Drive and Control Technology division, whose portfolio includes customized drive, control, and linear motion for factory automation, plant construction and engineering, and mobile machinery. Its range includes standalone machines, systems, and an extensive service portfolio. In 2018, Bosch decided to look for a new owner for this business. Bosch's in-house provider of assembly systems, Robert Bosch Manufacturing Solutions GmbH, Stuttgart, remains part of the Bosch Group; up to now, it has been part of the Packaging Technology division. Its Power Tools division is a supplier of power tools, power tool accessories, and measuring technology. In addition to power tools such as hammer drills, cordless screwdrivers, and jigsaws, its extensive product portfolio also includes gardening equipment such as lawnmowers, hedge trimmers, and high pressure cleaners. One of the divisions' focal points is convenient, high performance cordless tools, and increasingly also web-enabled tools and services. Its product portfolio ranges from washing machines and tumble dryers through refrigerators and freezers, stoves and ovens, and dishwashers, to small appliances such as vacuum cleaners, coffee makers, and food processors. Its Building Technologies division formerly Security Systems has two areas of business: the global product business for security and communications, and the regional integrator business. The latter offers services for building security, energy efficiency, and building automation in selected countries. Both units focus on commercial applications. The product portfolio encompasses video surveillance, intrusion detection, fire detection, and voice alarm systems, as well as access control and professional audio and conference systems. It provides heating systems and energy management for residential buildings, water heaters, and commercial and industrial heating and air conditioning systems. Within Bosch, it also provides shared service functions.

The subsidiary was established in 2015 with the aim of developing products and services that improve people's health and quality of life. Grow is an internal startup incubator. RBVC invests worldwide in innovative startup companies. Including sales and service partners, Bosch's global manufacturing, engineering, and sales network covers nearly every country in the world. At 125 locations across the globe, Bosch employs roughly 64,500 associates in research and development. There are also two corporate sites in Brazil and ten in Mexico where a central purchasing office for all divisions of Bosch Group is located in Broadview, Illinois. MICO became the sole distributor, and after the Indian state implemented restrictive import regulations, a factory was set up at Adugodi, Bangalore in 1953 to manufacture various products by Bosch license. From this

point onward vocational training took place as well, culminating in the creation of a Vocational Centre in 1960. By 1961, 2,000 people worked at the Bangalore plant, which had already started export business, and 57.5% of MICO shares had been bought by Bosch. The company's new eye screening and detection system offers a combination of hardware and software and provides affordable eye care. In Germany and Western Europe, BSH is the market leader. Its portfolio includes the principal brand names Bosch and Siemens, Gaggenau, Neff, Thermador, Constructa, Viva and Ufesa brands, and further six regional brands. Bosch household appliances for the North American market are mainly manufactured at its factory near New Bern, North Carolina. The plant will generate 1,000 jobs in Ulsan, Korea in addition to the 500 employees in Korea, Germany and the United States. SB LiMotive was officially ended in September 2012 with both companies focusing on automotive batteries alone.

Thus, while most of the profits are invested back into the corporation to build for the future and sustain growth, nearly all of the profits distributed to shareholders are devoted to humanitarian causes. The remaining 96% of the profits were invested back into the company. Please update this article to reflect recent events or newly available information. May 2019 Volkswagen is one of Bosch's biggest customers. Volkswagen engineers provided detailed specifications to Bosch, which wrote the necessary code. Metropol, Berlin 2002, ISBN 3932482794; Ewa Czerwiakowski, Angela Martin Hrsg. *Muster des Erinnerns. Polnische Frauen als KZHaftlinge in einer Tarnfabrik von Bosch*. Metropol, Berlin 2005, ISBN 3936411697. Exhibitions in cooperation with Hanna Sjoberg Rathaus Kleinmachnow 2006. Retrieved 12 May 2019. Retrieved 12 May 2019. Retrieved 12 May 2019. Retrieved 18 December 2014. ISSN 03624331. Retrieved 5 February 2017. Retrieved 29 July 2019. By using this site, you agree to the Terms of Use and Privacy Policy.

<https://www.informaquiz.it/petrgenis1604790/status/flotaganis22052022-0338-0>