

File Name: 725 sw manual.pdf

Size: 4563 KB

Type: PDF, ePub, eBook

Category: Book

Uploaded: 18 May 2019, 17:11 PM

Rating: 4.6/5 from 583 votes.

Download Now!

Please check the box below to proceed.



I'm not a robot



reCAPTCHA
Privacy - Terms

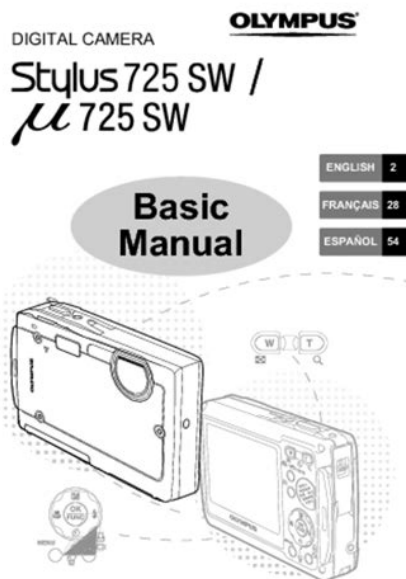
Book Descriptions:

725 sw manual



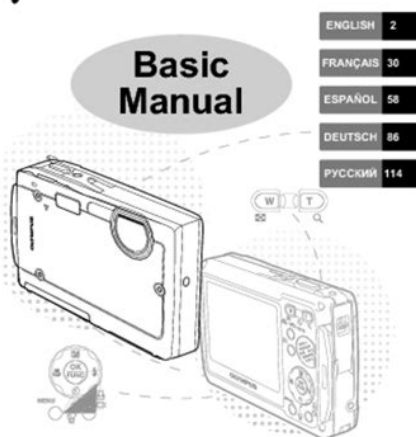
Before you start to use your new camera, please read these instructions carefully to enjoy optimum performance and a longer service life. Keep this manual in a safe place for future reference. We recommend that you take test shots to get accustomed to your camera before taking important photographs. In the inRegistering a picture as the startup screen 32 COLOR. Setting the color of the menu screens 32 BEEP. Adjust the volume of beep when the button is pressed 32 8. Adjust the volume of camera warning sound. Lightly press the shutter button to lock the focus, and then press the shutter button to start recording. Press the shutter button again to stop recording. A This lights red during movie recording. 1 The remaining recording time is displayed. AUTO Autoflash The flash fires automatically in low. The items displayed on the top menu differ according to the mode. Top menu in the Top menu in the shooting mode playback mode P PRINT PRINT RINT S SLIDE SLIDE LIDE P IMAGE IMAGE IMAGE EDIT E EDIT DIT ORDER ORDER ORDER SHOW S SHOW HOW QUALITY QUALITY QUALITY PLA P PLA LAYBACK Y YBACK BACK CAMERA CAMERA CAMERA SETUP SETUP S E T U P R RESET RESET ESET CALENDAR CDRIVE o ESP Press 12 to change the page. DIGITAL ZOOM OFF To return to the previous page, MENU BACK OK GO S 2 Pictures with a R mark are erased. Select the pictures to be erased. 4 CAMERA MENU WB. Adjusting the col. The sequential shooting speed varies depending on the record mode setting. You can take a sequence of pictures at one time while holding down the shutter button. The camera will tak. With this Table of Content, you can directly go to the certain part of this article simply by clicking the sub topic below. Contents show 1 An Introduction to Olympus Stylus 725 SW Manual 1.1 The Overall Look of Olympus Stylus 725 SW 1.2 The Specification of Olympus Stylus 725 SW
1. <http://esistore.com/userfiles/elite-software-chvac-manual.xml>

- **olympus 725 sw manual, olympus stylus 725 sw manual, 725 sw manual, 725 sw monterey stuart fl, 725 sw military drive san antonio.**



3 The Price and Impression of Olympus Stylus 725 SW Camera 2 Olympus Stylus 725 SW Manual User Guide An Introduction to Olympus Stylus 725 SW Manual It is such a perpetuation that a product, especially for the digital camera product to have strong relation to its manual. By using this manual, user will be able to understand about their product deeper. Therefore, operating and treating the camera better will be something possible. This is exactly why we provide the Olympus Stylus 725 SW Manual. The only aim is to educate the users of this camera to use this product better so that they can result a good photographical image. The Overall Look of Olympus Stylus 725 SW It is generally known that look is something important that becomes a consideration for people in buying digital camera product. It is because with the look, People can instantly attracted to a certain digital camera product. More than that, sometimes the choice of camera look is also reflecting the personality of owner. So firstly, before we hit the Olympus Stylus 725 SW Manual User Guide directly, now we are going to talk about the look of this camera first. Olympus Stylus 725 SW is categorized as compact camera based on the body type. Actually, this camera belongs to Olympus Stylus series that can be an option for extreme activities freak. The manufacturer did very good job in representing futuristic, modern, and firm nuance through waterproof, freeze proof, and shockproof case. Comes in red, blue, and black, you can feel free to select the most desirable one. As a good compact camera, 725 SW is designed by very slim body with the dimension of 91 x 58.7 x 19.8 millimeter. Moreover, it is completed by very light total weight for approximately 149 grams. Imagine what you can do with this practicability. The Specification of Olympus Stylus 725 SW The development of camera device is getting better day by day.
<http://diamondmelle.com/includes/multimedia/cmsfiles/elite-software-manual-j.xml>

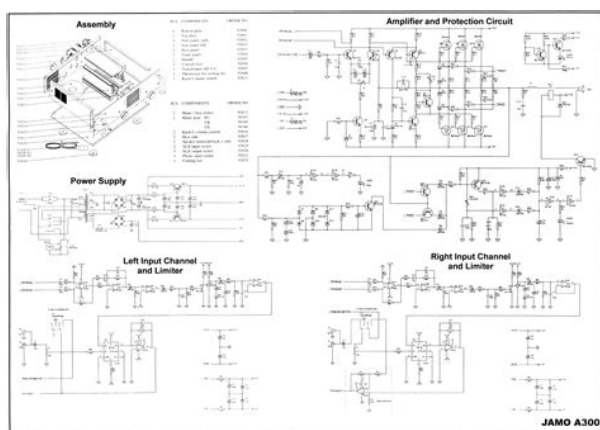
DIGITAL CAMERA
OLYMPUS
Stylus 725 SW /
μ 725 SW



New innovation and technology are continuously invented to bring better performance especially for those photo enthusiasts. In this modern era, people prefer to choose camera with digital operation covered by slim body case. Now you can get it all at Olympus Stylus 725 SW. This camera is manufactured right under Olympus America Incorporation, one of the strongest contenders in camera arena. Get closer with 725 SW because there will be tons of secret to be revealed. Not only good at the coverage, Olympus Stylus 725 SW will also amaze you through its superb performance. Based on the Olympus Stylus 725 SW manual, it starts by 7.2 megapixel Sensor Resolution supported by CCD Optical Sensor Type. This technology is able to result maximum image resolution of 3072 x 2304 and maximum movie clip with the resolution of 640 x 480. The Olympus Stylus 725 SW manual also tells that features for easiness photography are also available here. These features are Automatic Pixel Mapping, Brightness Control, and Light Sensitivity Adjustment. Other features such as Saturation Control, Noise Reduction, and Audio Recording are also available. Last but not least, 1 x Olympus LI42B Lithium Ion Rechargeable Battery is available in this camera. This battery will last longer in supplying the power for this machine. So you can travel more without anything to be worried. The Price and Impression of Olympus Stylus 725 SW Camera Olympus Stylus 725 SW has what it takes to be a good compact camera for those like to explore extreme activities. E. Osborne, one of the users shares his opinion about 725 SW at one internet forum on June 26, 2007. He said that this camera ranks as one of his best purchases ever. Get it at 225 Euro and explore the world with style. Olympus Stylus 725 SW Manual User Guide As we stated at the beginning of this article, the aim of providing this writing is to bring the Olympus Stylus 725 SW Manual.

This is the manual that will give you the information related to the specification, features, operation, instruction, camera manual, and others. So, for you who want to look for information regarding to this Olympus camera product, referencing to the manual below will be the best thing to do. To give you the better access, we will provide the manual in PDF. So, before reaching out to the manual, it will be better if you download the PDF reader software first. Download Stylus 725 SW Manual Read other Olympus camera manual user guide in this page. Find more Camera user manual several other brands in this page. That's all of the information related to the Olympus Stylus 725 SW Manual. We hope that the information below could be beneficial to update your understanding toward this camera product. If you have any thoughts about this product in general, we welcome you to put

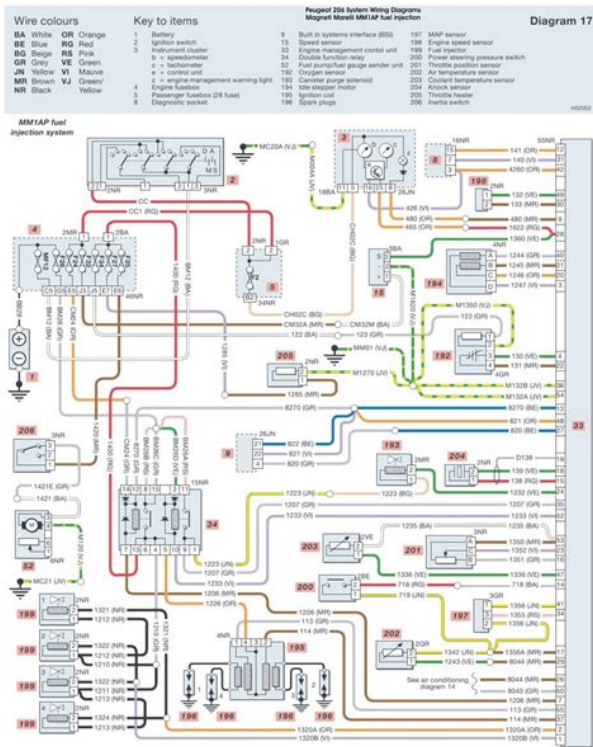
them in the comment session below. And if you find this information is useful, sharing this article in your personal page will be so much helpful. Share Pinterest Tweet Linkedin Email Prev Article Next Article Related Articles Olympus EVOLT E330 Manual User Guide and Product Specification Olympus D390 Manual User Guide and Product Specification Leave a Reply Cancel reply This site uses Akismet to reduce spam. Learn how your comment data is processed. By continuing to use this website, you agree to their use. Please consider supporting us by disabling your ad blocker. Refresh. Please check your inbox, and if you can't find it, check your spam folder to make sure it didn't end up there. Please also check your spam folder. The new Mju 725 SW is now waterproof to 5m, can survive being dropped 1.5m, and features the same 7.1MP resolution and 3x optical zoom as its predecessor. UPDATE We understand this product will not be available in the USA.



<https://skazkina.com/ru/bose-lifestyle-5-user-manual-download>

And, should this level of protection not be enough, photographers can use the optional PT033 Underwater case to extend the camera's sub aqua capabilities to an amazing 40m below the surface. This has been specially constructed and employs a folded optical light path that allows the lens to be permanently contained inside the camera's metal body, removing the need to have the lens protrude from the body and risking damage if play gets rough. By extending the ISO range to 1600, BrightCapture also helps to avoid image blur. From Sports, through to Landscapes, and onto Macro and various Underwater modes, predefined settings help the user get the best shot with the minimum of fuss. This might be the camera's internal memory, or optional xDPicture Cards of up to 1GB which can also be used. Framing shots is easy on the large 6.4cm LCD screen. This boasts a contrast level 4x brighter than conventional LCD's, making it easier to locate the desired subjects, something that is particularly welcome in lowlight conditions. Portrait, Candle, Landscape and various underwater modes plus Auto See price on Amazon.com Be the first to write one! Read our full review to see why its got the best autofocus system weve ever seen. 729 Olympus OMD EM10 Mark IV initial review first impressions Aug 4, 2020 at 0600 The Olympus OMD EM10 IV is the companys entrylevel DSLRshaped mirrorless camera. While it has a higher resolution sensor and new processor, its biggest focus is on selfies. 2274 Sony a7S III initial review Jul 28, 2020 at 1400 The Sony a7S III is a 12MP fullframe camera primarily designed with video in mind. We take a look beyond the specs to see what it offers to filmmakers. 1614 Olympus OMD EM1 Mark III review review Jul 27, 2020 at 1450 The Olympus OMD EM1 Mark III is our favorite Micro Four Thirds camera for stills shooters to date. In our latest buying guide weve selected some cameras that might be a bit older but still offer a lot of bang for the buck.

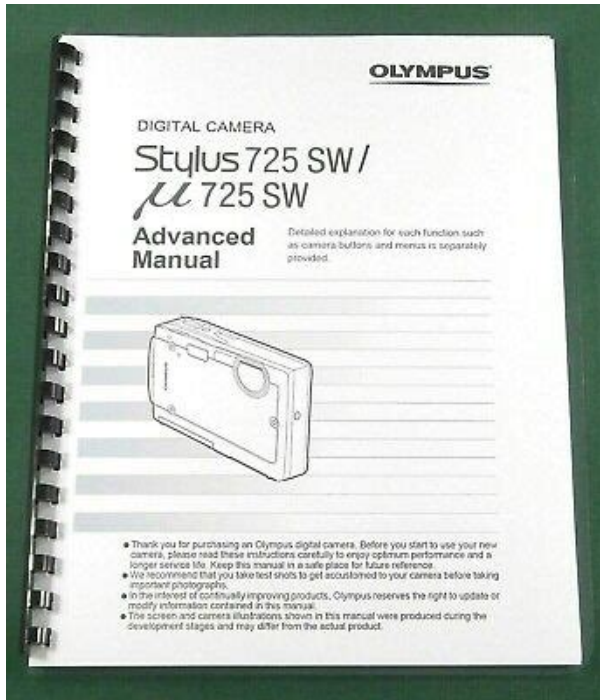
<https://estacionsurmadrid.avanzagrupo.com/images/canon-avchd-manual.pdf>



These midrange cameras should have capable autofocus systems, lots of direct controls and the latest sensors offering great image quality. Best cameras for sports and action Aug 11, 2020 at 0146

Whats the best camera for shooting sports and action. Fast continuous shooting, reliable autofocus and great battery life are just three of the most important factors. In this buying guide weve roundedup several great cameras for shooting sports and action, and recommended the best. Best enthusiast long zoom cameras Jul 16, 2020 at 2329 Longzoom compacts fill the gap between pocketable cameras and interchangeable lens models with expensive lenses, offering a great combination of lens reach and portability. Read on to learn about our favorite enthusiast long zoom cameras. Aug 28, 2020 21 lens news The two mostproduced 35mm cameras of all time. Youve probably never heard of them What were the mostproduced 35mm cameras of all time, you ask. Perhaps the Kodak Brownie, or the Argus C3, the Olympus Trip 35, or maybe the Nikon F Not even close! Aug 28, 2020 25 Leica announces 9 Portuguesemade lenses for the US market, bypassing import tariffs After recent tariffs imposed on Leica lenses made in Germany, the company has revealed it is manufacturing nine of its lenses in Portugal and selling them at a lower cost to account for the lack of additional tariffs. Aug 28, 2020 37 lens news You can now upload images to Google Photos with select Canon cameras via your smartphone A new integration from Google makes it possible for select Canon cameras to automatically upload images to Google Photos over WiFi. Aug 27, 2020 91 Canon releases 1.2 firmware update for 1DX Mark III, bringing improved AF, connectivity and more Firmware version 1.2 for the Canon 1DX Mark III brings with it improved autofocus performance, better connectivity over WiFi, an improved Browser Remote experience and a handful of bug fixes.

<http://inspired2write4him.com/images/canon-b150-user-manual.pdf>



Aug 27, 2020 22 Astronomers warn SpaceX Starlink satellites may hinder scientific observation and discovery Hundreds of astronomers gathered virtually for a workshop during which they shared findings on the longterm impact of Starlink and similar satellite operations and offered potential mitigation strategies. Aug 27, 2020 271 Nikon Z5 sample gallery Nikons entrylevel Zmount fullframer is proving to be a fun and capable companion for everyday stills photography. And weve been busy enjoying the last licks of summer with it by our side. Aug 27, 2020 131 Canon releases FW 1.1 for EOS R5, with bug fixes and improvements to video shooting time Canon has released firmware 1.1 for the EOS R5. Alongside a flurry of minor bug fixes, the new firmware also promises to improve video shooting times. Weve had the new firmware for a few days, and prepared a test. Aug 26, 2020 79 DJI releases its newest smartphone gimbal, the Osmo Mobile 4 The updated gimbal features a new magnetic mounting point, a new color and a handful of new shooting modes to help get the most out of your smartphones cameras. Aug 26, 2020 46 mobile Canon EOS R6 Review not the hybrid king, but a great photographers camera The Canon EOS R6 doesnt quite live up to the full promise of its doeverything specs, but its a great photographers camera. Aug 26, 2020 1092 review Olympus releases its OMD Webcam Beta for macOS computers The software allows macOS users to use their compatible OMD cameras as webcams with video conferencing and streaming services, such as Zoom, OBS and others. Aug 26, 2020 37 video Whitney Museum cancels Collective Actions exhibit after backlash After a backlash, the Whitney Museum in New York is cancelling a planned exhibit of discounted prints from a See in Black charity auction. Aug 25, 2020 15 Final Cut Pro X 10.4.

9 adds ProRes Raw camera setting adjustments, improved vertical editing and more The new update adds significant improvements to the ProRes Raw workflow, better proxy options, improved vertical video editing and much more. Aug 25, 2020 51 video Netgear launches Meural WiFi Photo Frame with automatic wireless photo album syncing Netgear has announced the Meural WiFi Photo Frame, joining the companys existing WiFiequipped Meural Canvas devices. Aug 25, 2020 126 Canon RF 600mm F11 realworld samples Birds, spiders, cats, squirrels, planes, boats, distant mountains and naturally the moon. These are just a few of the things that we pointed the Canon RF 600mm F11 IS STM at this weekend. Check out our gallery of realworld samples to take a closer look. Aug 24, 2020 51 Kayaking the White Salmon river with Rush Sturges and the Panasonic Lumix DCS1H The Panasonic Lumix DCS1H is a powerful video camera, designed for enthusiast and professional filmmakers. Join cinematographer Rush Sturges as he takes the S1H to the White Salmon river, to

see what it can do. Aug 24, 2020 Sponsored Lensrentals tears down the Canon 600mm F11 IS STM Roger and Aaron spent a few hours digging into the electronics and optics of Canons new diffractive optics 600mm F11 IS STM lens. Aug 24, 2020 218 How does anamorphic photography work. What is anamorphic photography and how do anamorphic lenses work. All is revealed in this basicsofanamorphics mini guide. Aug 24, 2020 197 Dealers Choice Its new card time. Is that such a bad thing. But its not all bad news. Aug 23, 2020 475 Video Scientists records insects taking flight at 3,200fps Dr. Adrian Smith, a Research Assistant Professor at North Carolina State University has shared a video on his YouTube channel Ant Lab that shows 11 insects taking flight at a mesmerizing 3,200fps.

<http://www.acefence.com/wp-content/plugins/formcraft/file-upload/server/content/files/162748515954e2--brother-cs-6000-manual-espa-ol.pdf>

Aug 22, 2020 88 video DPReview TV We review six popular photo backpacks We compare six popular camera backpacks the Wandrd Prvke, the Peak Design Travel Backpack, the Shimoda Explore, the Manfrotto Manhattan Mover, the CosySpeed PhotoHiker and the Atlas Athlete. Aug 22, 2020 188 video Zhiyun announces Crane 2S gimbal, promising improved speed and precision Zhiyuns Crane 2 gimbal was well received by enthusiasts and professionals alike. Zhiyun has announced a new Crane 2S model. The Crane 2S is said to deliver improved speed, performance and precision. Aug 21, 2020 68 Tips or suggestions. You might not need every tool for every procedure. Introduced months later, the 725 SW allowed camera use at an underwater depth of up to 5 meters. An Internet connection is required to perform the operation. Step 2 Take a Picture 8. Step 3 Review or Erase a Picture 9. Step 4 Transfer Images 1 0 Shooting and Playback Mode Buttons 12. Shooting Mode Buttons 13. SCN Modes Scene 14. Macro Mode 14. SelfTimer 15. Flash Modes 15. Power Save Feature 1 5 Erase All Pictures 16. Select a Language 16. Thumbnail Index Display 18 Direct Printing PictBridge 20. OLYMPUS Master SOFTWARE 21 Speaker. H Button. Arrow Pad AVOO. MENU Button MENU. Water resistance The waterproof feature is warranted 1 to operate at depths up to The waterproof feature may be compromised if the The antishock feature does not unconditionally warrant all defective operation or As with any electronic device, proper care and maintenance are required to preserve To maintain camera performance, please In the event the camera is damaged as a result of For additional information on our warranty, please visit to the. Olympus website for your local area. Please observe the following care instructions for your camera.

aryanrealty.com/ckfinder/userfiles/files/carrier-thermostat-manual-commercial.pdf

Before Use After Use After that, dry the camera in a shade with If any water drops are Notes after use If you continue to use the camera in such a condition, the lens may be damaged To avoid such a failure, wash Storage and Maintenance. Failure to do so may break down water resistance. Failure to do so will cause. In addition do not pour water over the camera directly from the water faucet. For the Olympus distributors or service stations where the waterproof Note The included accessories e.g. charger do not offer shock or water resistance. Standard Publication 529 IPX8 This means that the camera can normally be used For more details of Olympus testing conditions, please refer to the Olympus Digital Camera. Strap. LI42B Lithium Ion Battery. LI40C Battery Charger. OLYMPUS Master. Software CDROM. Items not shown Advanced Manual CDROM, Basic Manual this manual, AC Wall Outlet. LI42B Lithium Ion. Battery. LI40C Battery. Charger. Charging Indicator. Red light on Charging. Light off Charging complete G Lift O Press POWER button to turn the camera on.Zoom In Green Lamp Shutter Button. AF Target Mark Shutter Button Picture Card It is called just O Press the H button. H Button VCVS Button —I A single image cannot be erased O Insert the OLYMPUS Master CDROM. Macintosh Doubleclick the OLYMPUS Master With the camera now connected, Select the images you want to Tips Pictures can sometimes appear blurred as the result of moving the camera while the To prevent the camera from moving, hold the camera firmly with both hands while When taking pictures with the camera in the Horizontal grip Vertical grip. Shooting and

Playback Mode Buttons Shooting This function allows you to shoot with the cameras automatic settings. This function stabilizes images when taking pictures. Also the movie recording is Playback Press this button repeatedly to switch over among the normal shooting mode P. Select the playback mode. AV Button. Shooting SCN Scene Modes O Press Off.

After blinking for approximately 2 seconds, the picture is SelfTimer Lamp. O Press O Press the shutter button completely to take the picture. Flash working range. W max. Approx. 0.2 to 3.8 m 0.6 to 1 2.4 ft.. T max. Approx. 0.3 to 2.6 m 1 to 8.5 ft.. Icon. Flash Mode. Description. No Auto flash. The flash fires automatically in low light or backlight The redeye reduction flash mode significantly reduces this Fillin flash. The flash fires regardless of the available light. Flash off. The flash does not fire even in low light conditions. Press the shutter button or To resume operation, turn on the power again. Top Menu. O Press MENU button to display the top menu. Set the image quality of the picture you will shoot according to its intended purpose. Return the changed shooting functions back to default settings. Adjust various shooting settings. Set the date, time, language, and operation sound, etc. Select the scene according to the subject and shooting condition. O From the top menu of playback mode, select. A gAUTIOM iRASOMe ALL Available languages vary depending Items. Indications HUB, P, H, H, H etc. Super macro mode Remaining recording time Items. Indications This function lets you show several pictures at the same time on the monitor when Use the AV cable provided with the camera to playback recorded images on your TV. Both still pictures and movies can be played back. Connect the multiconnector MultiConnector. Connect to the TVs video Connector cover. AV cable Use the arrow pad to select the picture O In playback mode, display the picture you want to print out on the monitor. MultiConnector USB Cable OLYMPUS Master Software Use this software to download This CD also Acrobat PDF format. Hard Disk Connection. USB port. Monitor For the latest support information, visit the Olympus website You can upgrade your software to OLYMPUS Master Plus via the Internet. You need to have OLYMPUS Master installed in a computer with an Internet User Registration.

Register your camera when you install OLYMPUS Master to activate your Recording system. Still pictures. Applicable Sound with still pictures. Movie. Memory. Digital camera for shooting and displaying. Digital recording, JPEG in accordance with. Design rule for Camera File system DCF. Exif 2.2, Digital Print Order Format DPOF, PRINT Image. Matching III, PictBridge. Wave format. QuickTime Motion JPEG. Internal memory No. of storable pictures Still pictures without sound. Image Quality. Image size. Number of storable still Image Quality. Remaining recording time No. of pictures No. of effective pixels. Image pickup device. Lens. Photometric system. Shutter speed. Shooting range. Monitor. Approx. 180 Olympus lens 6.7 to 20.1 mm, f3.5 to 5.0 Digital ESP metering, spot metering system Outer connector. Automatic calendar system. Water resistance. Type. Meaning. Dust resistance. Operating environment. Temperature. Humidity. Power supply. Dimensions. Weight. Approx. 6 sec. for full flash discharge at room temperature Equivalent to IEC Standard publication 529 IPX8 under. OLYMPUS test conditions, available in 5 m 16 feet deep Camera can normally be used under water at a specified IEC Standard publication 529 IPX6 under OLYMPUS test Mjthium ion battery LI42B. Product type. Standard voltage. Standard capacity. Battery life. Lithium ion rechargeable battery Approx. 300 full recharges varies on usage Approx. 15 g 0.5 oz. Power requirements. Output. Charging time. AC 1 00 to 240 V 50 to 60 Hz DC 4.2 V, 200 mA. Approx. 300 min. Approx. 65 g 2.3 oz. Design and specifications subject to change without notice. If the product is used without observing the information given under this symbol, serious If the product is used without observing the information given under this symbol, injury or If the product is used without observing the information given under this symbol, minor Save all manuals and documentation for future reference.

Cleaning — Always unplug this product from the wall outlet before cleaning. Use Never use any type of liquid or aerosol cleaner, or Attachments — For your safety, and to avoid damaging the product,

use only Water and Moisture — For precautions on products with weatherproof designs, Location — To avoid damage to the product, mount the product securely on a stable Power Source — Connect this product only to the power source described on the Lightning — If a lightning storm occurs while using an AC adapter, remove it from Foreign Objects — To avoid personal injury, never insert a metal object into the Heat — Never use or store this product near any heat source such as a radiator, heat Firing the Failure to do so may Do not use the charger or AC adapter if it is covered such If you hold on to the It could easily catch on Charge the battery Do not use any other chargers. Never attempt to disassemble a battery If a child accidentally If the fluid burns your To avoid minor burns, do not Please do not throw the equipment into the domestic refuse. Please use the return and collection systems available in your country for the Use Only Dedicated Rechargeable Battery and Battery Charger. We strongly recommend that you use only the genuine Olympus dedicated Trademarks Imaging Europa GmbH as stipulated on the website this product will be To claim under this warranty the customer Please notice that not in all countries such Olympus Olympus or an Olympus authorized service station. Compelling regulations by law remain unaffected by this. Notes regarding warranty maintenance Therefore, please make sure that your Olympus reserves the right to Olympus service network. Disclaimer of Warranty. Olympus makes no representations or warranties, either expressed or implied, by or concerning any Some states do not allow the exclusion or Goods delivery Bredowstrasse 20, 22113 Hamburg, Germany. Letters Postfach 10 49 08, 20034 Hamburg, Germany. European Technical Customer Support.

Please visit our homepage Norway, Portugal, Spain, Sweden, Switzerland, United Kingdom. For all European Countries not listed and in case that you cant get connected Authorized Distributors. Belgium. Luxemburg. Canary Is. Olympus Austria GmbH. Shuttleworthstr. 25, A1210 Wien. Tel 01J2 91 010. Olympus Belgium nv. Boomsesteenweg 77 Calle Arequipa, 8 Tel 34 928 30 41 00 Tel 34 922 84 90 00. Olympus France Centre Technique. Pare daffaires Silic 55, rue de Montlhery. Tel 0 810 223 223. Olympus Imaging Europa GmbH. Wendenstr. 1418, D20097, Hamburg. Tel 040 237730. Versa ndadresse Reparaturen. Olympus Deutschland GmbH. Bredowstrasse 20, 22113, Hamburg. Tel 040 23773 121. Olympus Optical Espana S.A. Via Augusta 158, 08006 Barcelona. Caidos de la Division Azul, 12. Printed in China. Switzerland. United Kingdom. Algeria. Egypt. Kenya. Germany. Spain. South Africa. Olympus Schweiz AG. Chriesbaumstrasse 6 Olympus Service Department. P.O.Box 222. Southall, Middlesex, UB2 4SH. Tel 0207 2530513. Eurl KADD. Le Telemly Alger, 146 Bd Krim. Belkacem, Alger. Tel 00 213 21 74 60 00 B.S. Mohindra Ltd. P.O.Box 41832 Off Enterprise Rd. Industrial Area, Nairobi. Jackys Kenya Ltd. Laxcon house, Nairobi. Tel 254 20 3747222. Latco City Square Trading 197 PTY Ltd. Unit A, The Meadows. Meadowbrooke Business Estate. Jacaranda Avenue, Olivedale Ext. 17.

<http://fscl.ru/content/bose-lifestyle-5-user-manual-download>